

PLEASE CHECK WWW.MOLEX.COM FOR LATEST PART INFORMATION

Part Number: [0350409802](#)
Status: **Active**
Description: 1.85mm (.070") Tab Terminal, Male, 18-20 AWG (0.82-0.52mm²), (.012") Thickness, Pre-Tin Plated

Documents:

[Drawing \(PDF\)](#) [RoHS Certificate of Compliance \(PDF\)](#)
[Product Specification PS-35127-001 \(PDF\)](#)

General

Product Family	Crimp Terminals
Series	35040
Crimp Quality Equipment	Yes
Product Name	N/A

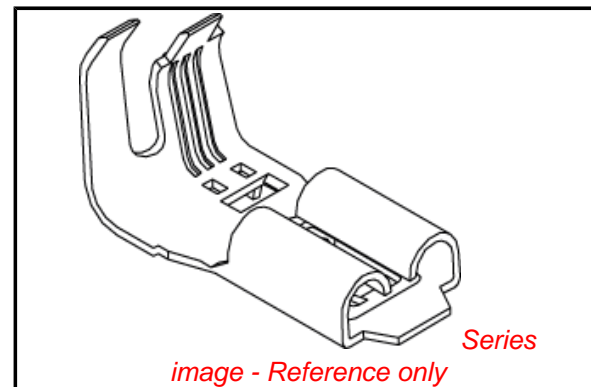
Physical

Gender	Male
Material - Metal	Brass
Material - Plating Mating	Tin
Material - Plating Termination	Tin
Packaging Type	Reel
Plating min: Mating (µin)	32.00
Plating min: Mating (µm)	0.800
Plating min: Termination (µin)	32.00
Plating min: Termination (µm)	0.80
Termination Interface: Style	Crimp or Compression
Wire Insulation Diameter	2.40-4.00mm (.094-.157")
Wire Size AWG	18, 20
Wire Size mm ²	N/A

Material Info

Reference - Drawing Numbers

Product Specification	PS-35127-001
Sales Drawing	SD-35040-001



EU RoHS

**ELV and RoHS
Compliant**
**REACH SVHC
Contains SVHC: No**
**Halogen-Free
Status**

China RoHS



**Need more information on product
environmental compliance?**

Email productcompliance@molex.com
 For a multiple part number RoHS Certificate of Compliance, [click here](#)

Please visit the [Contact Us](#) section for any non-product compliance questions.

Search Parts in this Series

[35040Series](#)

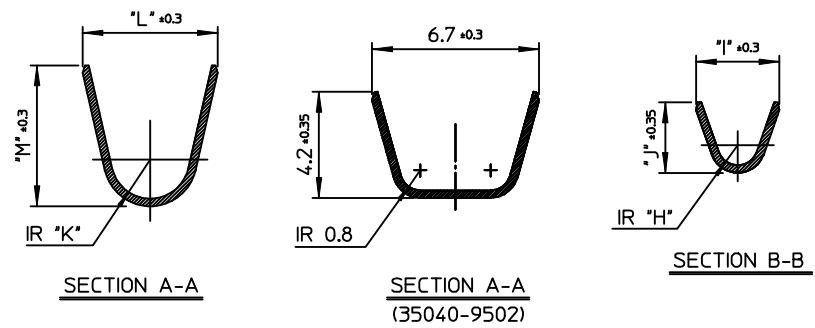
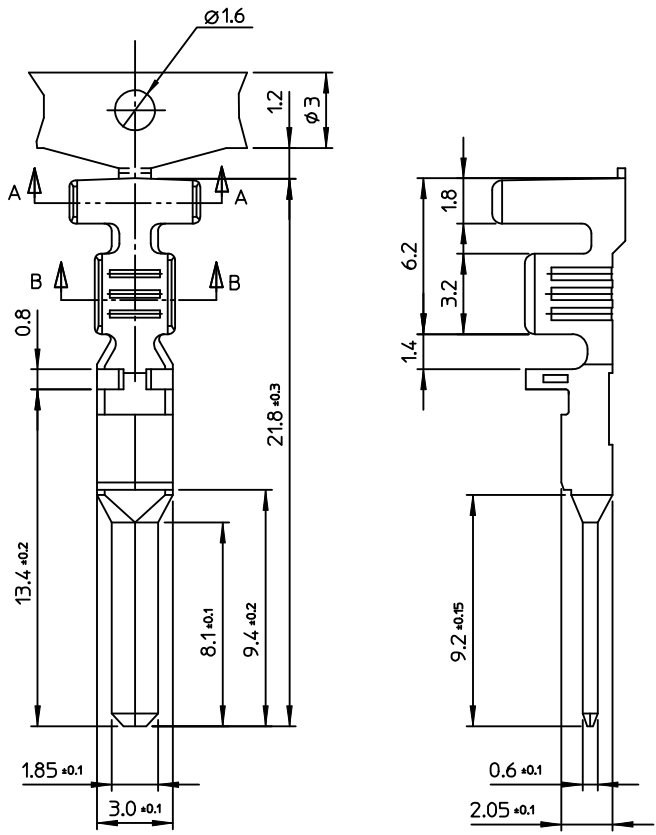
Mates With

[35068](#)

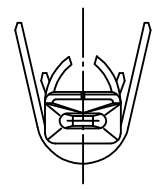
Use With

[35127](#)

PLEASE CHECK WWW.MOLEX.COM FOR LATEST PART INFORMATION



- NOTES.
1. MATERIAL : Ⓞ BRASS, PRE-TIN PLATED
 2. FINISH : 0.8~1.8µm,Tin(Sn) plating overall
0.3~0.8µm.Copper(Cu) plating
 3. PRODUCT SPECIFICATION : PS-35127-001
 4. MATED TERMINAL : 35028 SERIES



H	I	J	K	L	M	MATERIAL NO.	ENG NO.
0.8	3.0	3.2	0.8	3.35	3.55	350409802	35040-9802
0.8	3.2	3.5	1.55	5.4	5.3	350409000	35040-9000
0.8	4.3	3.2				350409502	35040-9502

REVISED EC NO: KOR2009-0151 DRWN: JHPARK01 2009/05/18 CHKD: W. YANG 2009/06/18 APPR: YUNSIKKIM 2009/07/01	DESCRIPTION REV	QUALITY SYMBOLS ▽=0 ▽=0	GENERAL TOLERANCES (UNLESS SPECIFIED) <table border="1"> <thead> <tr> <th></th> <th>mm</th> <th>INCH</th> </tr> </thead> <tbody> <tr> <td>4 PLACES</td> <td>± ---</td> <td>± ---</td> </tr> <tr> <td>3 PLACES</td> <td>± ---</td> <td>± ---</td> </tr> <tr> <td>2 PLACES</td> <td>± 0.2</td> <td>± ---</td> </tr> <tr> <td>1 PLACE</td> <td>± 0.3</td> <td>± ---</td> </tr> </tbody> </table> ANGULAR ± 1 °		mm	INCH	4 PLACES	± ---	± ---	3 PLACES	± ---	± ---	2 PLACES	± 0.2	± ---	1 PLACE	± 0.3	± ---	DIMENSION STYLE MM ONLY DRAWN BY: YJ.KIM DATE: 1992/08/29 CHECKED BY: BK. CHOI DATE: 1992/08/29 APPROVED BY: CW.LEE DATE: 1992/08/29	SCALE: 5:1 DESIGN UNITS: METRIC THIRD ANGLE PROJECTION	TITLE: .070 MALE TERMINAL
			mm	INCH																	
		4 PLACES	± ---	± ---																	
		3 PLACES	± ---	± ---																	
2 PLACES	± 0.2	± ---																			
1 PLACE	± 0.3	± ---																			
DRAFT WHERE APPLICABLE MUST REMAIN WITHIN DIMENSIONS			MATERIAL NO. SEE TABLE	DOCUMENT NO. SD-35040-001	SHEET NO. 1 OF 01																
THIS DRAWING CONTAINS INFORMATION THAT IS PROPRIETARY TO MOLEX INCORPORATED AND SHOULD NOT BE USED WITHOUT WRITTEN PERMISSION																					